



THANK YOU FOR PURCHASING "STAGE6 EGT METER",LED NIGHT-BACK-LIGHTED,MULTI-FUNCTION IN ONE. EASY-WIRING. CLEAR-CONTROLLING AND EASY-USING.

## ⚠ ATTENTION

- 1.THE LCD METER IS APPLY FOR DC12V ONLY.
- 2.EFFECTIVE RANGE : 100°C~1200°C (250°F~2100°F ) ◦
- 3.FOR INSTALLATION, PLEASE FOLLOW THE STEPS DESCRIBED IN MANUAL. ANY DAMAGE CAUSED BY WRONG INSTALLATION SHALL BE IMPUTED TO THE USERS.
- 4.DO NOT DISASSEMBLE OR CHANGE ANY PARTS EXCLUDING THE MANUAL DESCRIPTION.
- 5.THE INTERIOR EXAMINATION OR MAINTENANCE SHOULD BE EXECUTED BY OUR PROFESSIONALS.

### MARK MEANING

**NOTE** YOU COULD GET THE INSTALLATION DETAILS FROM THE INFORMATION BEHIND THE MARK.

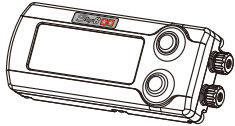

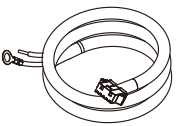

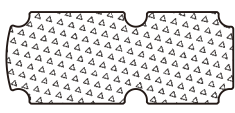
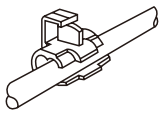
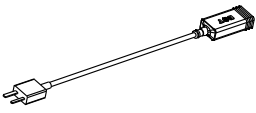

⚠ **SOME PROCESSES MUST BE FOLLOWED TO AVOID THE AFFECTION CAUSED BY WRONG INSTALLATION.**

⚠ **WARNING!** SOME PROCESSES MUST BE FOLLOWED TO AVOID DAMAGES TO YOURSELF OR THE PUBLIC.

⚠ **CAUTION!** SOME PROCESSES MUST BE FOLLOWED TO AVOID THE DAMAGE TO THE VEHICLE.

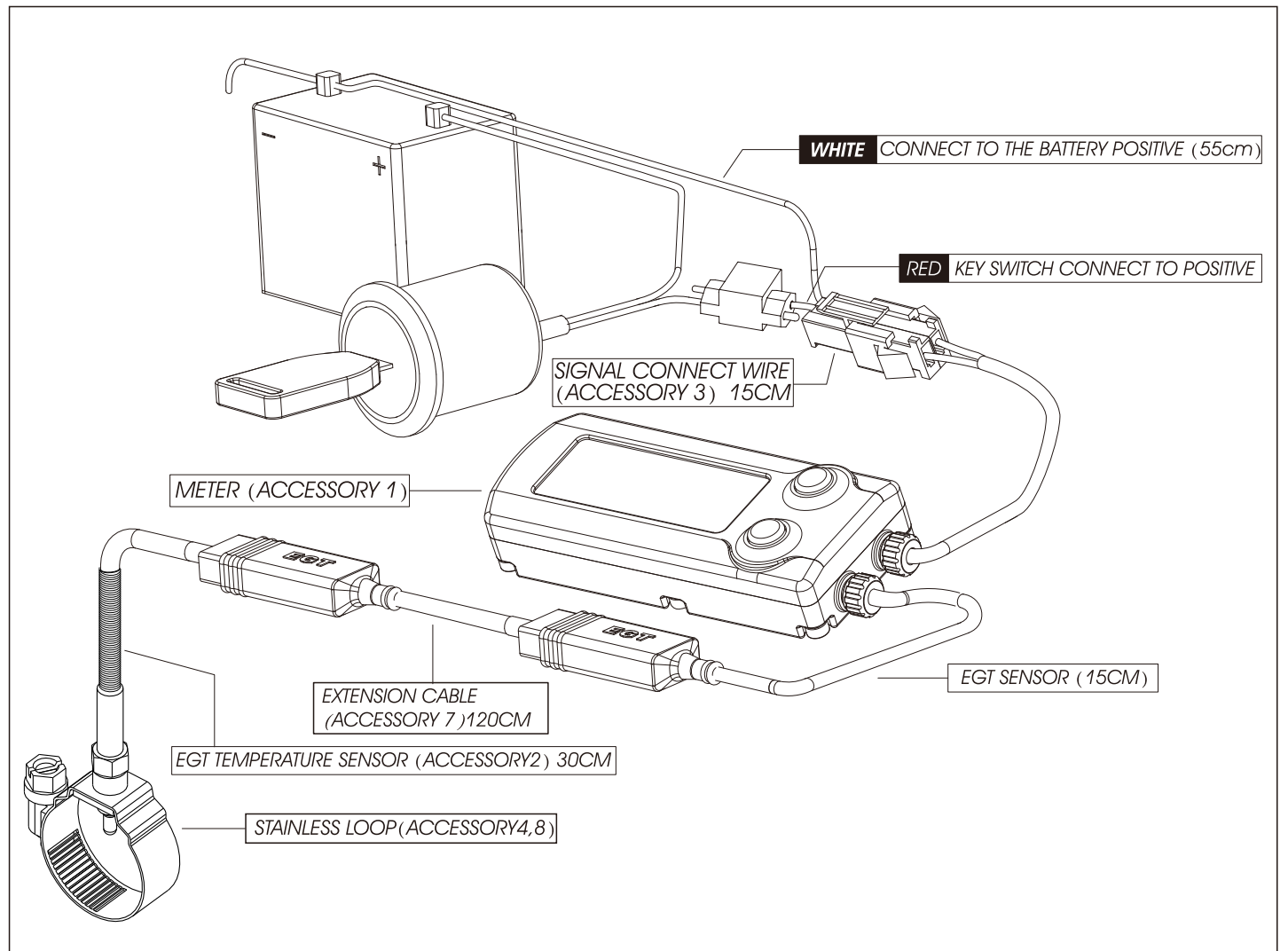


## 1 ACCESSORY

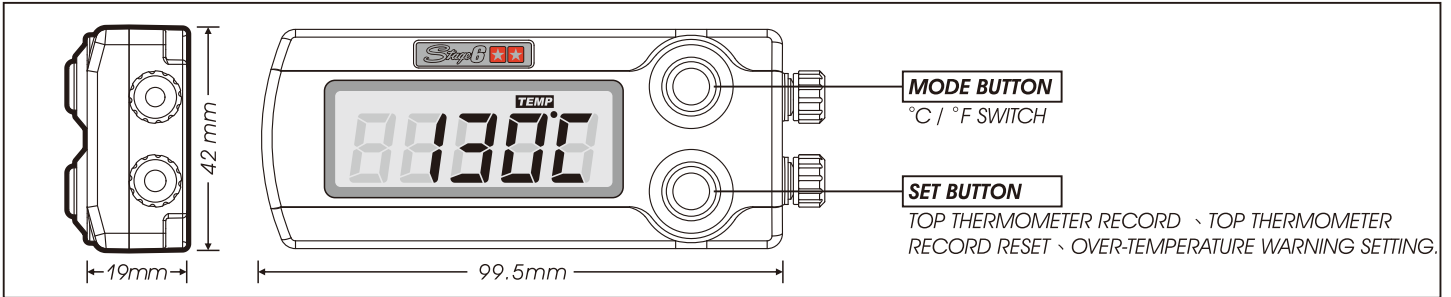
<p><b>1</b> METER X1</p> 	<p><b>2</b> EGT TEMPERATURE SENSOR X1</p> 	<p><b>3</b> SIGNAL CONNECT WIRE X1</p> 	<p><b>4</b> STAINLESS LOOP 21 X 38MM</p> 
<p><b>5</b> VELCRO X1</p> 	<p><b>6</b> CONNECT TERMINAL X1</p> 	<p><b>7</b> EXTENSION CABLE 120CM</p> 	<p><b>8</b> STAINLESS LOOP 40 X 64MM</p> 

PS: PLEASE CONTACT US IF THE ITEMS YOU OPEN ARE NOT THE SAME, WITH THE ABOVE-LISTED ONES.

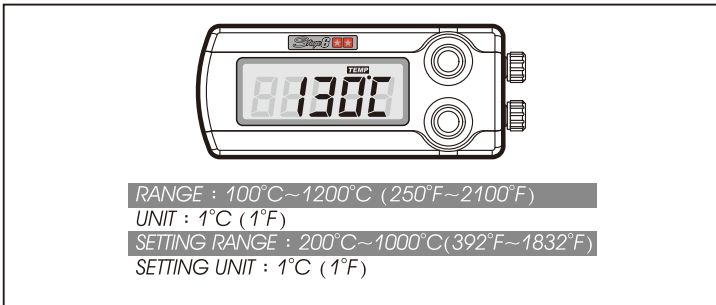
## 2 INSTRUCTION OF WIRING-INSTALLATION



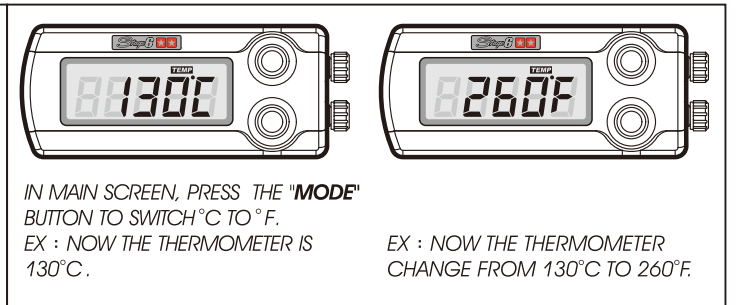
### 3 THE METER SIZE INSTRUCTION.



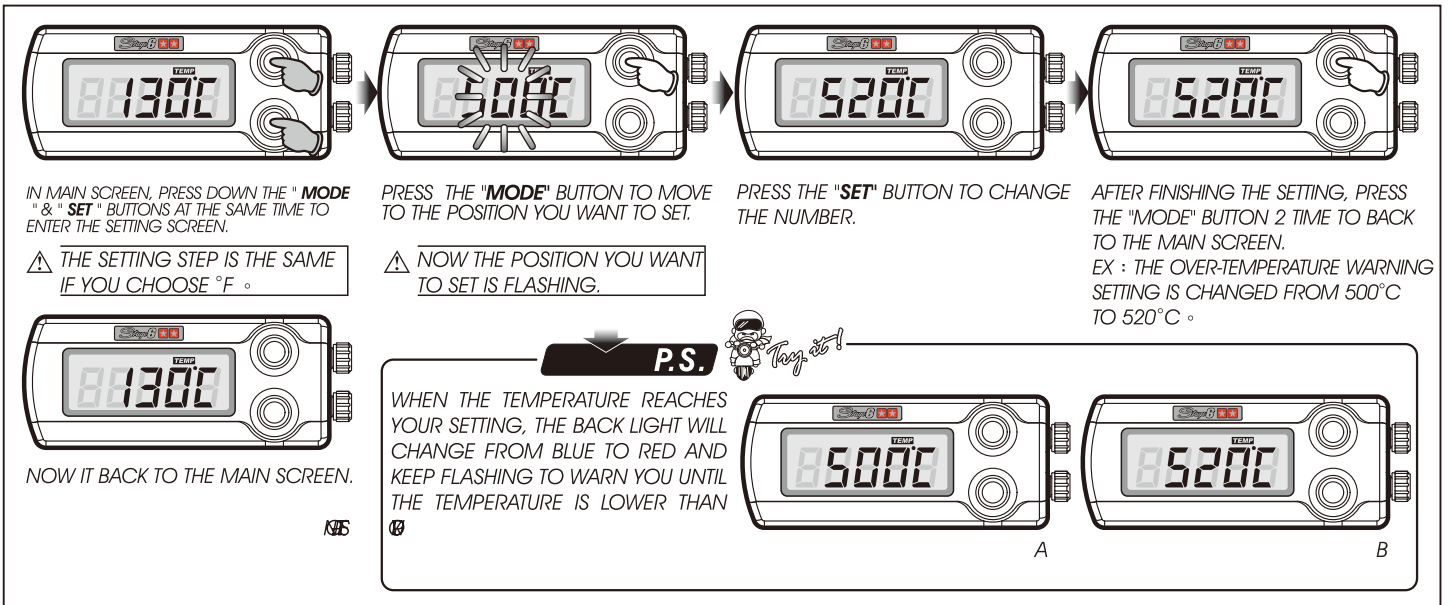
### 4 BASIC FUNCTION.



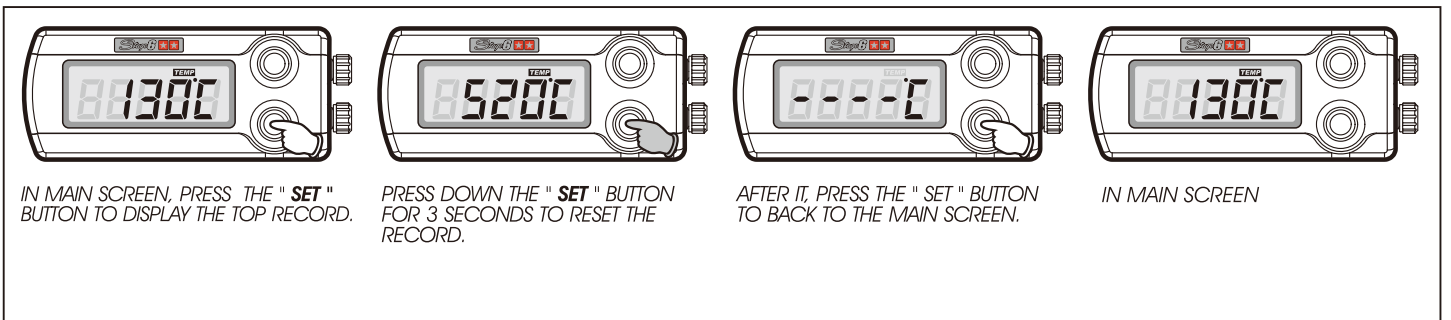
### 5 SCREEN SWITCH FUNCTION



### 6 OVER-TEMPERATURE WARNING SETTING INSTRUCTION.



### 7 THE TOP RECORD DISPLAY AND RESET.



### 8 TROUBLE SHOOTING.

